



MPXL – robust and long life

MPXL

These microdischarge lamps are hot restrike, extremely robust, offer a long service life and come with either 35 or 50 watt power ratings. The DL and RP types can be operated in fast run-up mode and emit very little UV light due to the UV blocking outer bulb. In the RP version the burner is mounted for optimal light performance in a converging 50 mm reflector. The DUV versions are unique and emit in the UV spectrum.

Benefits

- Can be relit immediately after switch-off
- Direct maximum output in fast run-up mode

Features

- Hot restrike
- Fast run-up mode for DL and RP types
- Long life
- UV source version available
- Reflector version available

Application

- Portable forensic equipment
- Non-destructive testing
- Industrial fiber optics
- Aircraft landing and taxi lighting
- Marine spot and search lighting

System

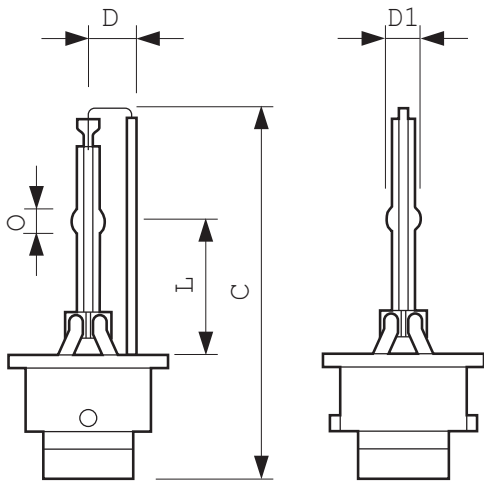
- Can only be used with an electronic ballast and starter

Related products



DUV35

Dimensional drawing



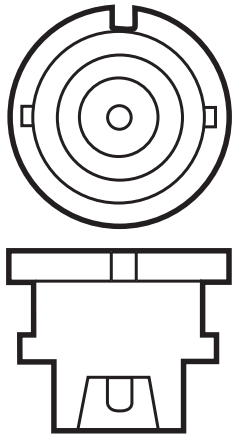
DUV35 P32d 1CT

| Product | C (Max) | D (Max) | D1 (Max) | L (Max) | O (Max) |
|------------|---------|---------|----------|---------|---------|
| DUV35 P32d | - | - | - | - | - |

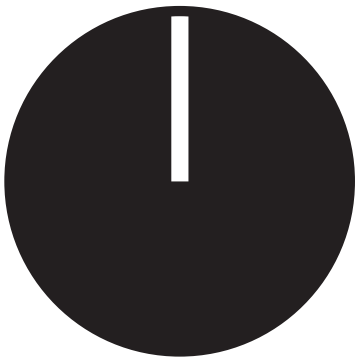
General Characteristics

| Order code | Full product name | Philips Code | Cap-Base | Operating Position | Main Application |
|--------------|-------------------|--------------|----------|--------------------|------------------|
| 928550229404 | DUV35 P32d 1CT | DUV35 | P32d | p | Industrial UV |

Installation diagrams



P32d



P



© 2013 Koninklijke Philips N.V. (Royal Philips)
All rights reserved.

Specifications are subject to change without notice. Trademarks are the property of Koninklijke Philips N.V. (Royal Philips) or their respective owners.

www.philips.com/lighting

2013, March 26
data subject to change